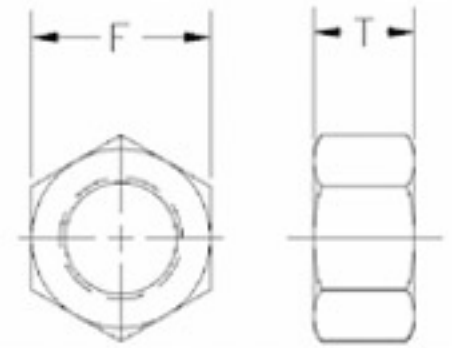


## DIN 934 HEX NUTS CLASS 8 & 10 PLAIN & PLATED



SIZE	WIDTH ACROSS FLATS (F)	THICKNESS (T)	LBS. PER 1000 PCS	CARTON QTY
M5 x .8	8.0	4.0	2.7	15000
M6 x 1	10.0	5.0	5.5	10000
M8 x 1.25	13.0	6.5	11.4	6000
M8 x 1	13.0	6.5	11.4	6000
M10 x 1.5	17.0	8.0	25.5	2000
M10 x 1.25	17.0	8.0	25.5	2000
M12 x 1.75	19.0	10.0	38.0	1500
M12 x 1.25	19.0	10.0	38.0	1500
M14 x 2	22.0	11.0	51.0	750
M14 x 1.5	22.0	11.0	51.0	750
M16 x 2	24.0	13.0	73.0	550
M16 x 1.5	24.0	13.0	73.0	550
M20 x 2.5	30.0	16.0	125.0	500